

ZX Spectrum +3B Schematic

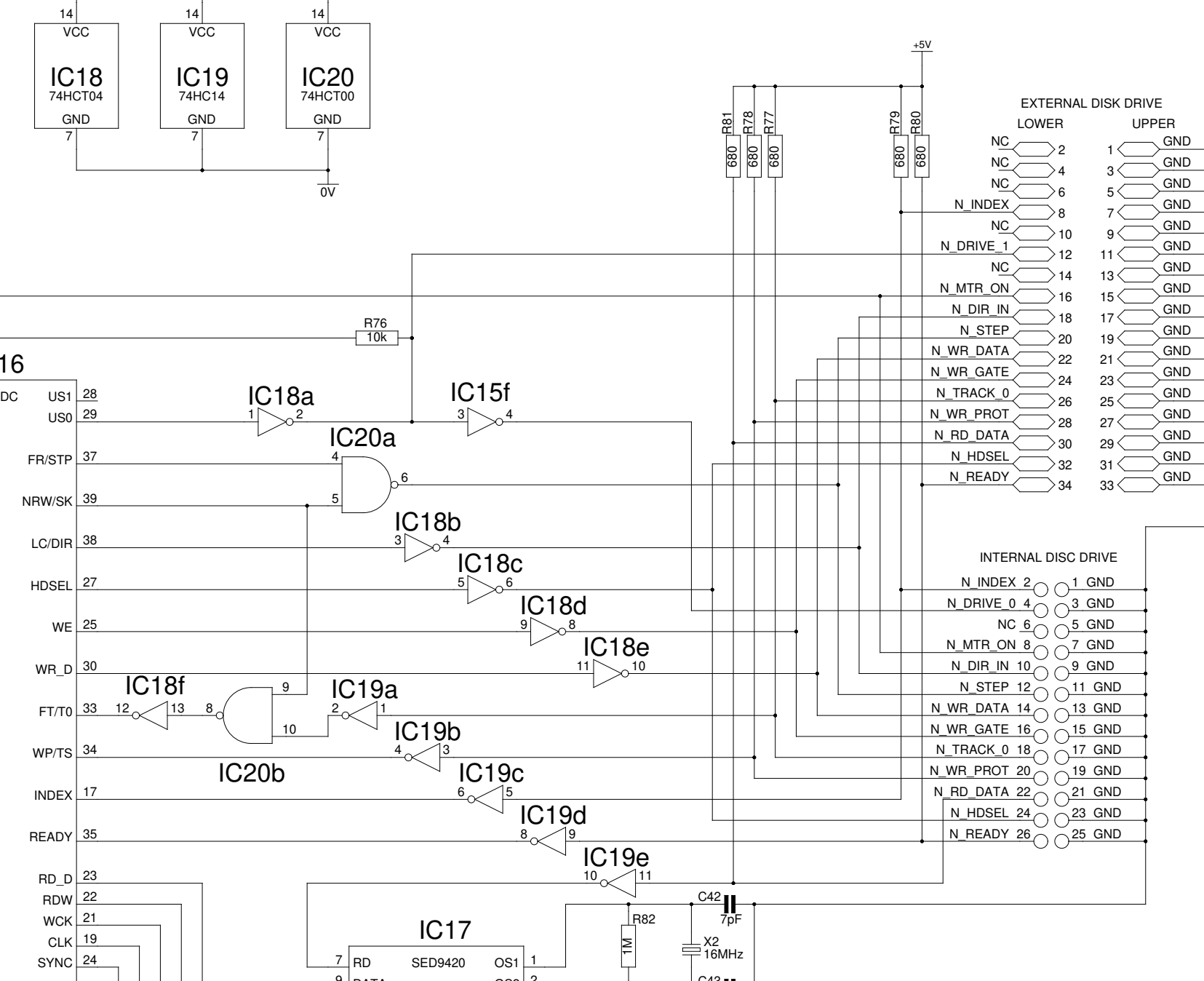
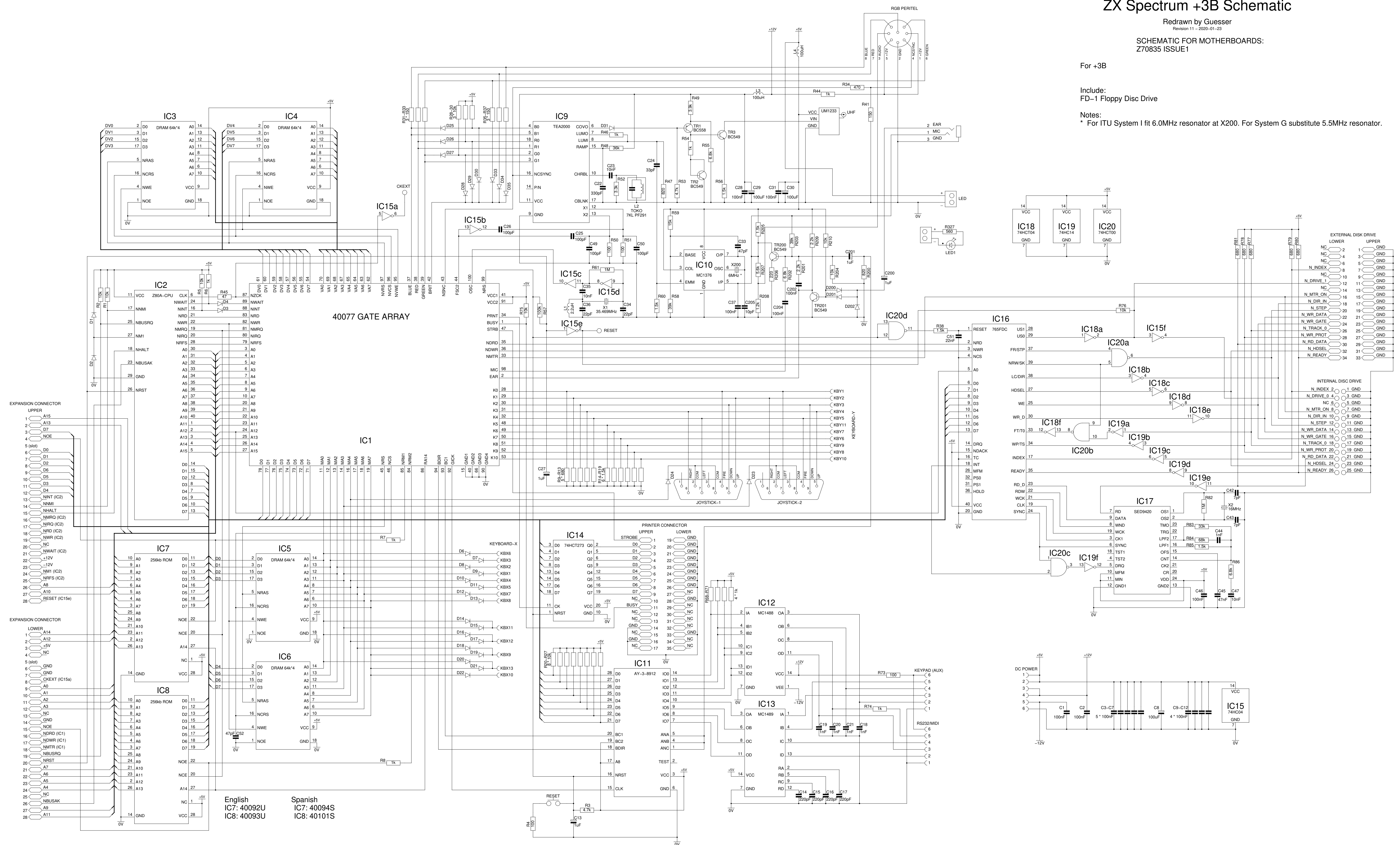
Redrawn by Guesser
Revision 1.1 - 2020-01-23

SCHEMATIC FOR MOTHERBOARDS:
Z70835 ISSUE 1

For +3B

Include:
FD-1 Floppy Disc Drive

Notes:
* For ITU System I fit 6.0MHz resonator at X200. For System G substitute 5.5MHz resonator.



English
IC7: 40092U
IC8: 40093U

Spanish
IC7: 40094S
IC8: 40101S